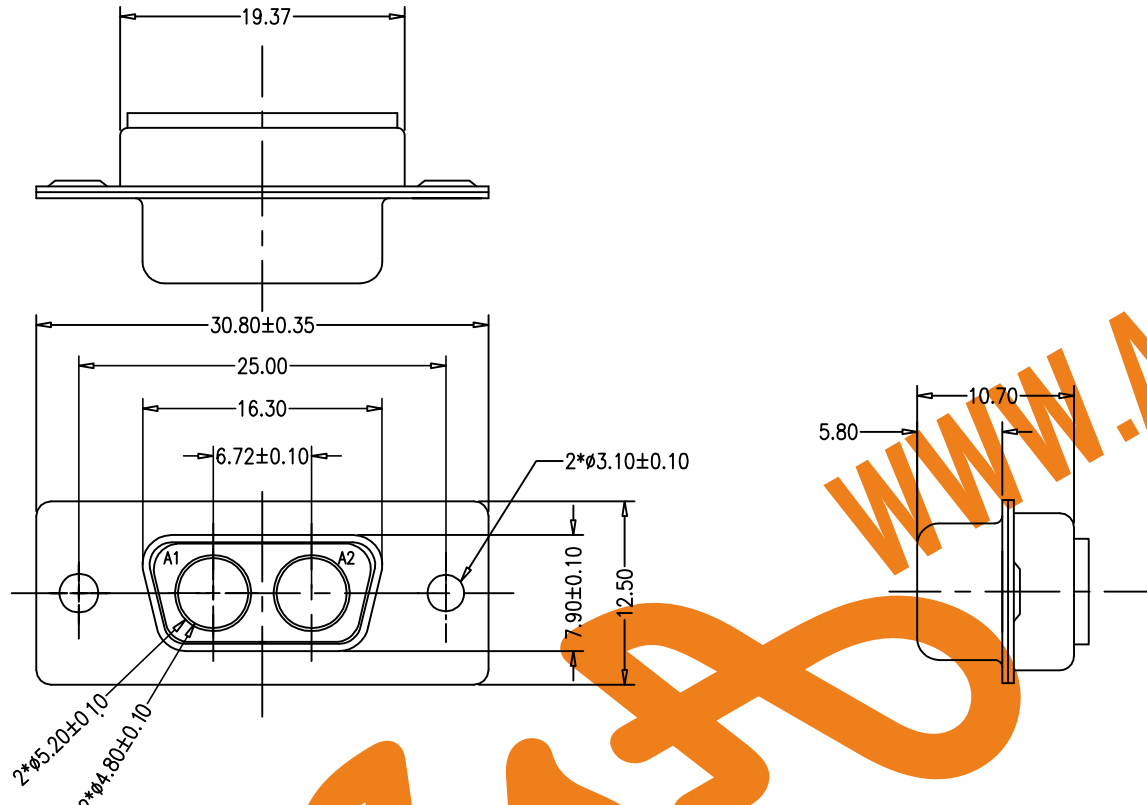


Coaxial D-SUB 2W2 FEMALE Solder Cup

ROHS COMPLIANT



ELECTRICAL CHARACTERISTICS:

Dielectric withstanding Voltage: AC 1000V r.m.s.
 Insulation Resistance: 500 Megohms Minimum at DC 500V
 Contact Resistance: 25 Milliohms
 Operating Temperature: -20°C~+85°C

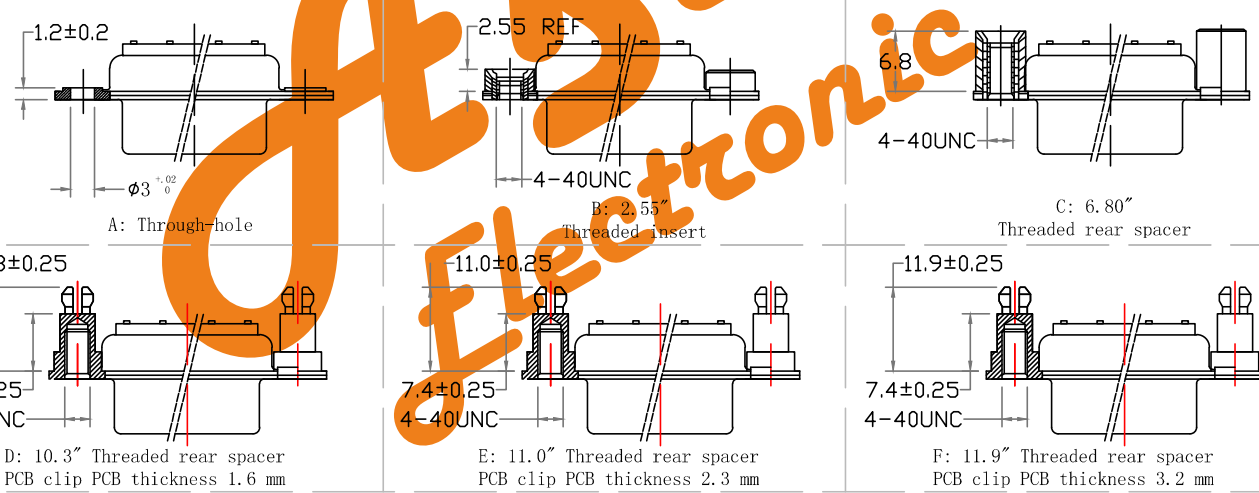
MATERIALS:

Insulator: PBT, UL 94V-0 Rated
 Shell: Cold Roller Steel

Ordering Code:

PDC2W2 -F -G0 -B -X -00
 ① ② ③ ④ ⑤ ⑥

- ① Series
- ② Contact Type:
M: Male F: Female
- ③ Contact NO.:
G0: Gold flash G1: 3u" Gold
G2: 5u" Gold G3: 10u" Gold
G4: 15u" Gold G5: 30u" Gold
- ④ Insulation Color Code:
B: Black L: Blue
W: White
- ⑤ Mounting Option:
A: Through-hole
B: 2.55" Threaded insert
C: 6.80" Threaded rear spacer
D: 10.3" Threaded rear spacer
E: 11.0" Threaded rear spacer
F: 11.9" Threaded rear spacer
PCB clip
- ⑥ Series



Unless Otherwise specified tolerance X.±0.35 X.X:±0.25 X.XX:±0.20 X.XXX:±0.15		 ASA Electronic Co. WWW.ASA-Elec.com Tel: (+98) 21 66 73 56 82 Mob: (+98) 912 03 161 02
SCALE: 1:1	UNIT: mm	
DRAWN: junfon H		TITLE:
CHECKED: YANG		Coaxial D-SUB 2W2 FEMALE Solder Cup

REV	Add option of plating	12/7/17
1	DESCRIPTION	DATE

 3rd ANGLE PROJECTION	DRAWING NO: PDC2W2-FXXXX00
	PRODUCT NO: PDC2W2-FXXXX00